

# MODEL EA-TL-30

Thin Line Louver • 1.08" Deep • 30° Straight Blades • Extruded Aluminum

Standard Materials and Construction

- FRAME:** Frame optional. See Page 2 for available options.
- VBS:** 0.465" deep hat channel, 0.063" thick (nominal)  
6063-T5 aluminum alloy vertical blade support (VBS).
- BLADE:** 0.063" thick (nominal) extruded aluminum, 6063-T5 alloy.
- FINISH:** Mill

Options

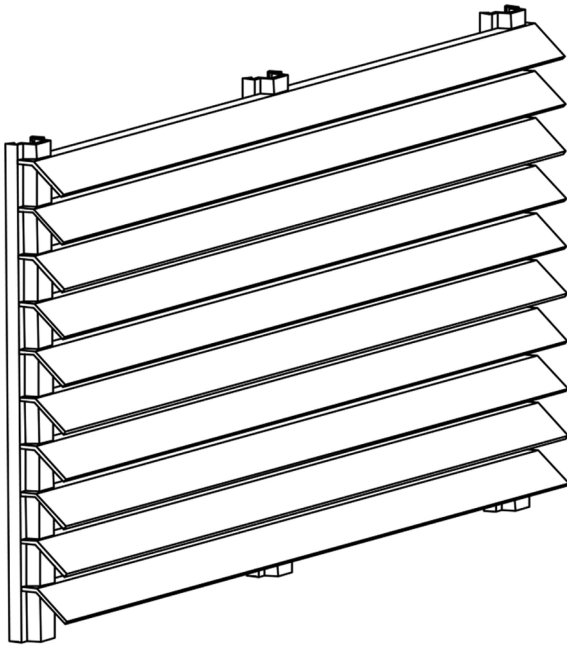
Finish - Anodized, Painted

Notes

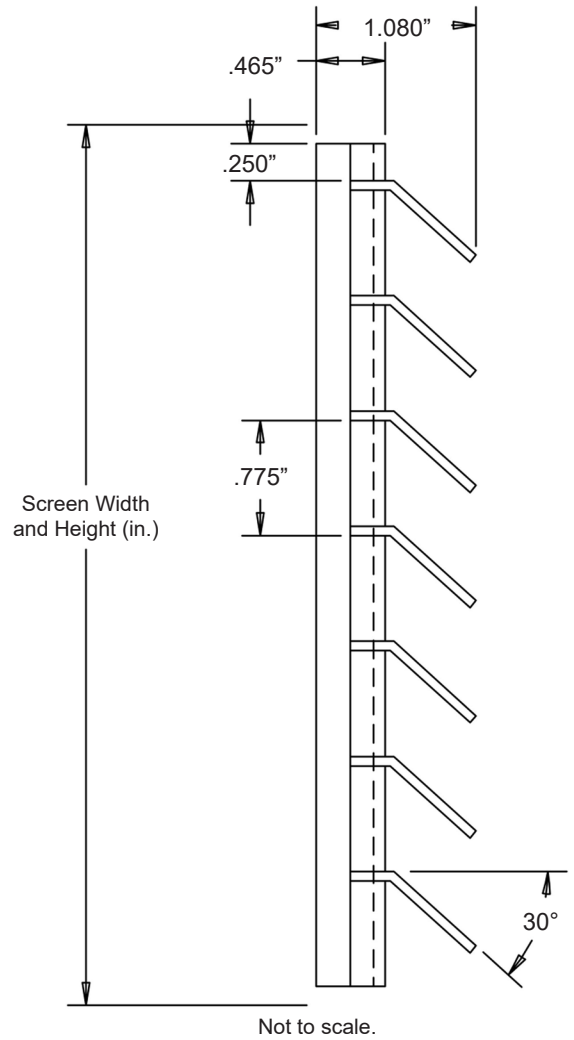
1. 1/2" nominal deduction will be made to the opening size given for standard and optional frame construction.
2. Contact the factory for louver sizes larger than 96"W x 48"H.
3. Approximate shipping weight is 1.6 lbs./sq.ft.

Louver Sizes

Min Panel	Max Single Panel
12"W x 12"H	96"W x 48"H



Not to scale.



<b>Item #</b>	<b>Qty</b>	Width	Height	Width	Height	<b>Mullion</b>							<b>Union Made</b>
<b>Arch. / Eng.:</b>		<b>Opening Size</b>		<b>Louver Size</b>		<b>EDR:</b>		<b>ECN:</b>		<b>Job:</b>			
<b>Contractor:</b>													
<b>Project:</b>								<b>Date:</b>		<b>DWN:</b>		<b>DWG:</b>	

# MODEL EA-TL-30

Thin Line Louver • 1.08" Deep • 30° Straight Blades • Extruded Aluminum

## Free Area Table

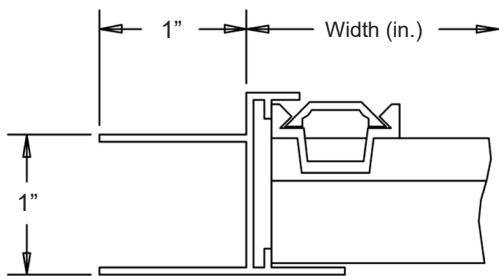
Free Area sq.ft. (sq.m.)

		Width in. (mm)							
		12" (305)	24" (610)	36" (914)	48" (1219)	60" (1254)	72" (1829)	84" (2134)	96" (2438)
Height in. (mm)	12" (305)	.63 (0.059)	1.33 (0.124)	2.03 (0.189)	2.78 (0.258)	3.48 (0.323)	4.18 (0.388)	4.88 (0.453)	5.63 (0.523)
	24" (610)	1.29 (0.120)	2.72 (0.253)	4.16 (0.386)	5.70 (0.529)	7.13 (0.662)	8.57 (0.796)	10.00 (0.929)	11.55 (1.073)
	36" (914)	1.94 (0.180)	4.09 (0.380)	6.25 (0.581)	8.57 (0.796)	10.73 (0.997)	12.88 (1.197)	15.04 (1.397)	17.36 (1.613)
	48" (1219)	2.60 (0.242)	5.49 (0.510)	8.38 (0.779)	11.50 (1.068)	14.39 (1.337)	17.28 (1.605)	20.12 (1.869)	23.28 (2.163)

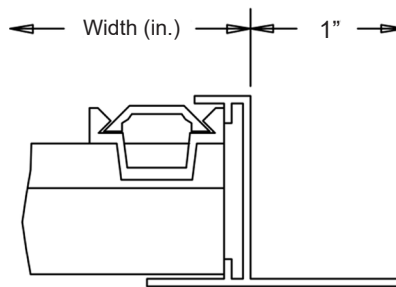
Free Area (% Free Area)

		Width in. (mm)							
		12" (305)	24" (610)	36" (914)	48" (1219)	60" (1254)	72" (1829)	84" (2134)	96" (2438)
Height in. (mm)	12" (305)	63.00	66.50	67.67	69.50	69.60	69.67	69.71	70.38
	24" (610)	64.50	68.00	69.33	71.25	71.30	71.42	71.43	72.19
	36" (914)	64.67	68.17	69.44	71.42	71.53	71.56	71.62	72.33
	48" (1219)	65.00	68.63	69.83	71.88	71.95	72.00	71.86	72.75

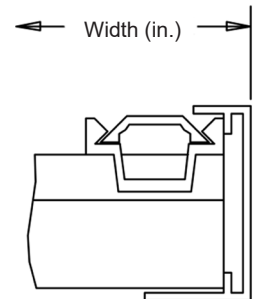
## Frame Options



Glazing Frame  
(Optional)



Flanged Frame  
(Optional)



Channel Frame  
(Optional)